

1 2 3 4 5 6

A

B

C

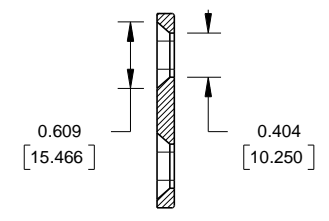
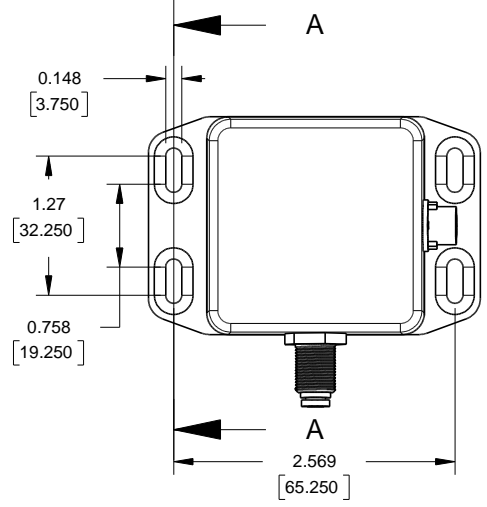
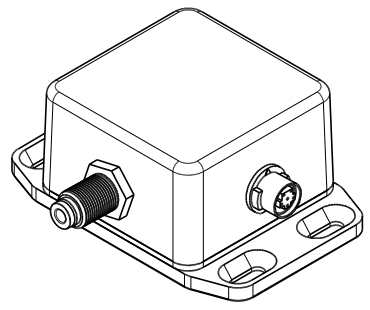
D

A

B

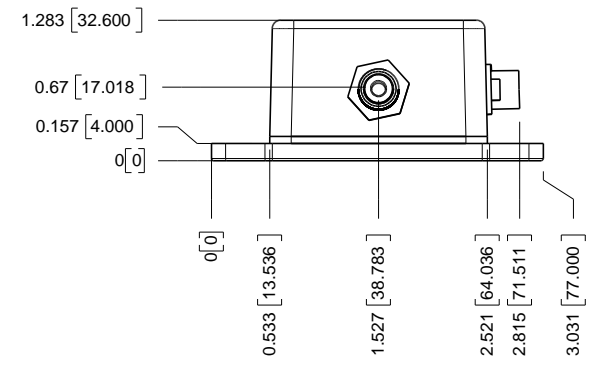
C

D

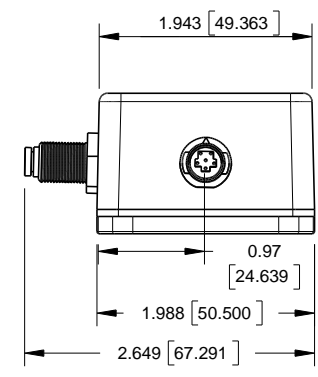


SECTION A-A

TOP VIEW



FRONT VIEW



SIDE VIEW

MATERIAL: ALUMINUM ALLOY (ALLOY TYPE 380)
 FINISH: BLACK TEXTURED POWDER PAINT
 CONNECTOR: 1 x HIROSE HR30-6R-6S(71)
 1 x SMC KQ2E01-00NJ

TITLE BAROMETRIC PRESSURE MODULE			
DRAWN BY V. MANIVASAKAN	APPROVED BY B. WOODCOCK	DATE ISSUED 27 - 06 - 2013	SCALE 1 : 1.5
UNLESS OTHERWISE SPECIFIED DIMENSIONS ARE IN INCHES AND METRIC DIMENSIONS IN BRACKETS [] TOLERANCES: TWO PLACE DECIMAL +/- 0.004 THREE PLACE DECIMAL +/- 0.001		THE INFORMATION CONTAINED IN THIS DRAWING IS THE SOLE PROPERTY OF AVENTECH RESEARCH INC. ANY REPRODUCTION IN PART OR AS A WHOLE WITHOUT THE WRITTEN PERMISSION OF AVENTECH RESEARCH INC. IS PROHIBITED.	
DWG NO. BAROMETRIC_PRESSURE_MODULE		EDITION A	SHEET 1 OF 1

1 2 3 4 5 6