

1

2

3

4

5

6

A

A

B

B

C

C

D

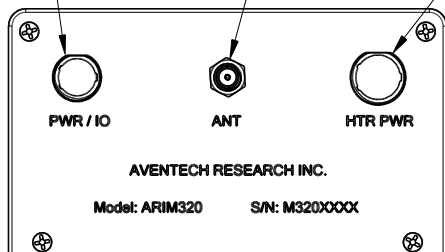
D

CAN / ELECTRONICS POWER / MPES SERIAL INPUT
 GLENAIR 800-012-07M7-10EN MIGHTY MOUSE CONNECTOR.
 FOR ELECTRICAL PINOUT SEE SHEET 4.

GPS ANTENNA INPUT - SMA CONNECTOR

ANTI-ICE / ENVIRONMENTAL HEATER POWER INPUT
 GLENAIR 800-012-07 M8-2EN MIGHTY MOUSE CONNECTOR.
 FOR ELECTRICAL PIN OUT SEE SHEET 4.

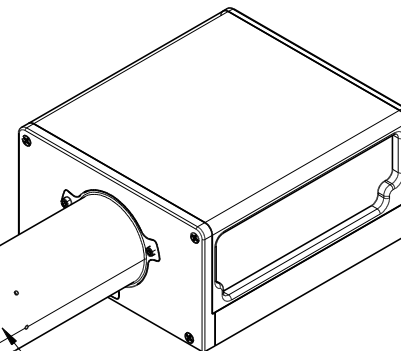
4 x 0.136" DIA MOUNTING HOLES LOCATED ON BOTTOM OF ENCLOSURE FOR REQUIRED LENGTH NAS1352C8H FASTENERS OR 8-32 EQUIVALENT



ENCLOSURE REAR PANEL

FOLLOWING NC MACHINED ON REAR OF ENCLOSURE:

- 1) 'AVENTECH RESEARCH INC.'
- 2) 'PWR / IO' UNDER POWER / IO PORT
- 3) 'ANT' UNDER GPS ANTENNA INPUT PORT
- 4) 'HTR PWR' UNDER HEATER POWER PORT
- 5) MODEL NUMBER AS 'MODEL ARIM320'
- 6) SERIAL NUMBER AS 'S/N: M320XXXX'



DIRECT FLOW VENTILATION CHAMBER HOUSING 0.039" DIA BEAD THERMISTOR AND RH SENSOR

2 x ANGLE-OF-ATTACK DIFFERENTIAL PRESSURE PORTS

8 x STATIC PORTS

TOTAL (PITOT) PRESSURE PORT

2 x SIDESLIP DIFFERENTIAL PRESSURE PORTS

MATERIAL: 6061-T6 ALUMINUM
 FINISH: PROBE BOOM: TITANIUM NITRADE (TiN)
 ON ELCTROLESS NICKEL
 ENCLOSURE: BLACK ANODIZED

ARIM320 TECHNICAL SPECIFICATION



DRAWN BY
B. WOODCOCK

DATE ISSUED
02-04-2013

MATERIAL
SEE NOTES

FINISH
SEE NOTES

UNLESS OTHERWISE SPECIFIED DIMENSIONS ARE IN INCHES AND METRIC DIMENSIONS IN BRACKETS []
 TOLERANCES:
 TWO PLACE DECIMAL +/- 0.004
 THREE PLACE DECIMAL +/- 0.001

THE INFORMATION CONTAINED IN THIS DRAWING IS THE SOLE PROPERTY OF AVENTECH RESEARCH INC.. ANY REPRODUCTION IN PART OR AS A WHOLE WITHOUT THE WRITTEN PERMISSION OF AVENTECH RESEARCH INC. IS PROHIBITED.

DWG NO.
ARIM320-TSD

EDITION
A

SHEET
1 OF 3

1

2

3

6