

1

2

3

4

5

6

A

A

B

B

C

C

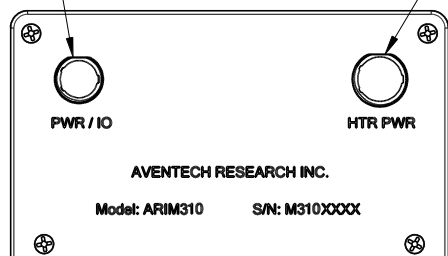
D

D

CAN / ELECTRONICS POWER  
 GLENAIR 800-012-07M7-10EN  
 MIGHTY MOUSE CONNECTOR  
 FOR ELECTRICAL PINOUT  
 SEE SHEET 4.

ANTI-ICE / ENVIRONMENTAL  
 HEATER POWER INPUT  
 GLENAIR 800-012-07 M8-2EN  
 MIGHTY MOUSE CONNECTOR.  
 FOR ELECTRICAL PIN OUT  
 SEE SHEET 4.

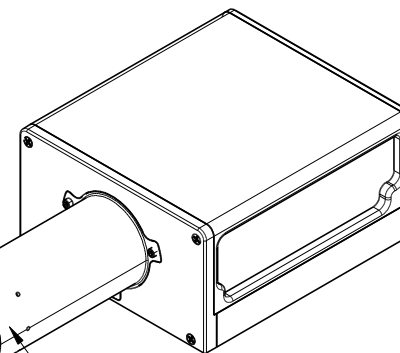
4 x 0.136" DIA MOUNTING HOLES  
 LOCATED ON BOTTOM OF ENCLOSURE  
 FOR REQUIRED LENGTH NAS1352C8H  
 FASTENERS OR 8-32 EQUIVALENT



ENCLOSURE REAR PANEL

FOLLOWING NC MACHINED ON REAR OF ENCLOSURE:

- 1) 'AVENTECH RESEARCH INC.'
- 2) 'PWR / IO' UNDER POWER / IO PORT
- 3) 'HTR PWR' UNDER HEATER POWER PORT
- 4) MODEL NUMBER AS 'MODEL ARIM310'
- 5) SERIAL NUMBER AS 'S/N: M310XXXX'



DIRECT FLOW VENTILATION CHAMBER  
 HOUSING 0.039" DIA BEAD THERMISTOR  
 AND RH SENSOR

2 x ANGLE-OF-ATTACK  
 DIFFERENTIAL  
 PRESSURE PORTS

8 x STATIC PORTS

TOTAL (PITOT)  
 PRESSURE PORT

2 x SIDESLIP  
 DIFFERENTIAL  
 PRESSURE PORTS

MATERIAL: 6061-T6 ALUMINUM  
 FINISH: PROBE BOOM: TITANIUM NITRADE (TiN)  
 ON ELECTROLESS NICKEL  
 ENCLOSURE: BLACK ANODIZED

TITLE ARIM310 TECHNICAL SPECIFICATIONS DRAWING				
DRAWN BY V. MANIVASAKAN	APPROVED BY B. WOODCOCK	DATE ISSUED 28 - 03 - 2013	MATERIAL SEE NOTES	FINISH SEE NOTES
UNLESS OTHERWISE SPECIFIED DIMENSIONS ARE IN INCHES AND METRIC DIMENSIONS IN BRACKETS [ ] TOLERANCES: TWO PLACE DECIMAL +/- 0.004 THREE PLACE DECIMAL +/- 0.001		THE INFORMATION CONTAINED IN THIS DRAWING IS THE SOLE PROPERTY OF AVENTECH RESEARCH INC.. ANY REPRODUCTION IN PART OR AS A WHOLE WITHOUT THE WRITTEN PERMISSION OF AVENTECH RESEARCH INC. IS PROHIBITED.		
DWG NO. ARIM310-TSD			EDITION A	SHEET 1 OF 5

1

2

3

6