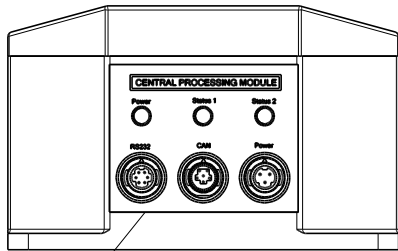


1 2 3 4 5 6

A

A



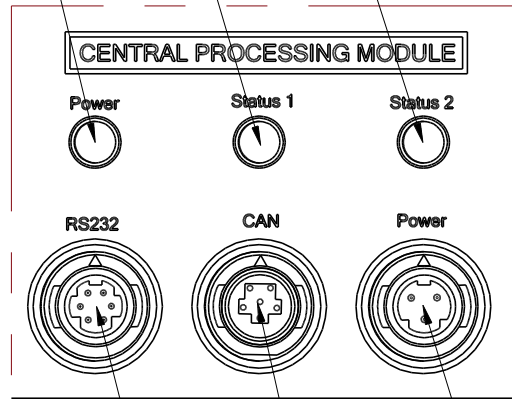
A  
STATUS LED 2

STATUS LED 1

POWER LED

B

B



Power

Status 1

Status 2

RS232

CAN

Power

DETAIL A

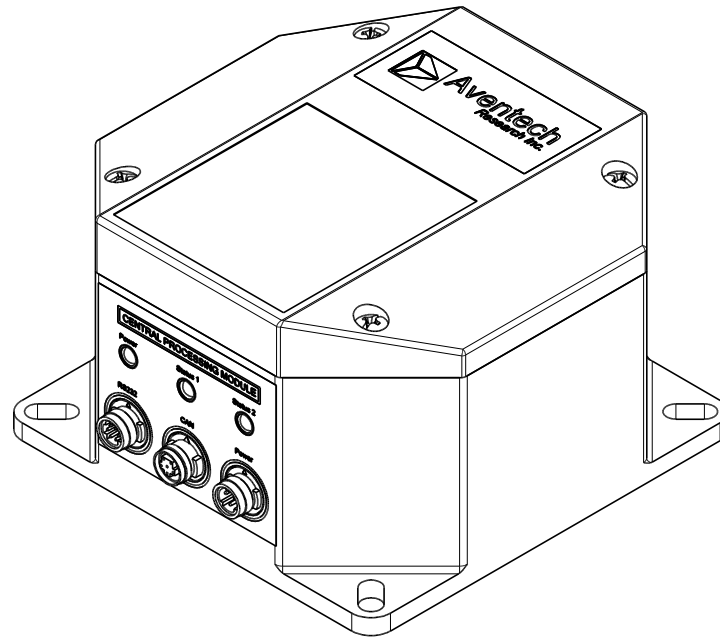
RS232  
HIROSE CONNECTOR  
P/N: HR30-6R-6P(71)

CAN  
HIROSE CONNECTOR  
P/N: HR30-6R-6S(71)

POWER  
HIROSE CONNECTOR  
P/N: HR30-6R-3P(71)

D


D



NOTE: SEE SHEET 3 FOR MOUNTING DETAILS

MATERIAL: POLYGLASS  
FIBERGLASS-REINFORCED POLYESTER WITH GRAPHITE

COLOR: BLACK

TITLE AIMMS-20 CPM TECHNICAL SPECIFICATIONS DRAWING				
DRAWN BY V. MANIVASAKAN	APPROVED BY B. WOODCOCK	DATE ISSUED 15 - 07 - 2013	MATERIAL SEE NOTES	FINISH SEE NOTES
UNLESS OTHERWISE SPECIFIED DIMENSIONS ARE IN INCHES AND METRIC DIMENSIONS IN BRACKETS [ ] TOLERANCES: TWO PLACE DECIMAL +/- 0.004 THREE PLACE DECIMAL +/- 0.001		THE INFORMATION CONTAINED IN THIS DRAWING IS THE SOLE PROPERTY OF AVENTECH RESEARCH INC. ANY REPRODUCTION IN PART OR AS A WHOLE WITHOUT THE WRITTEN PERMISSION OF AVENTECH RESEARCH INC. IS PROHIBITED.		
DWG NO. AIMMS20_CPM -TSD			EDITION A	SHEET 1 OF 3

1 2 3 4 5 6