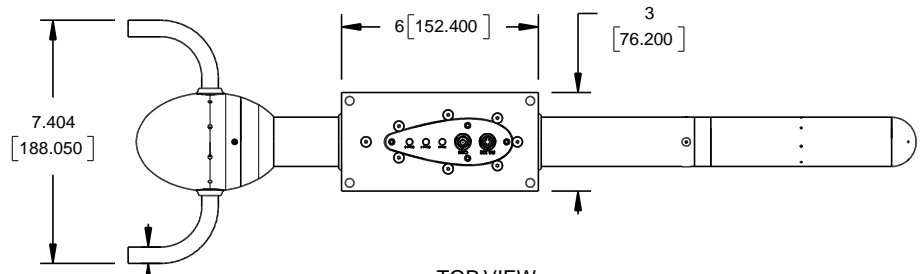
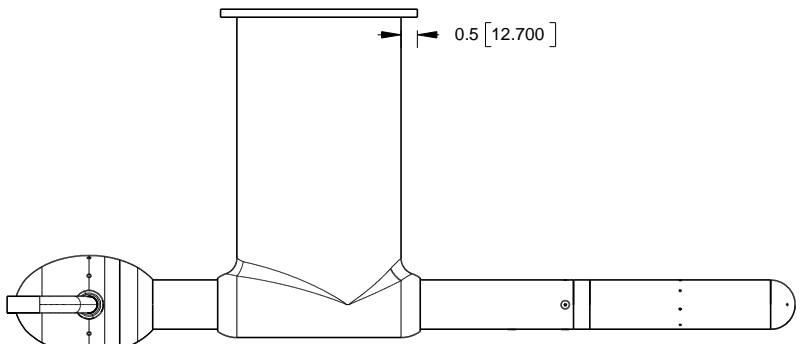


1 2 3 4 5 6



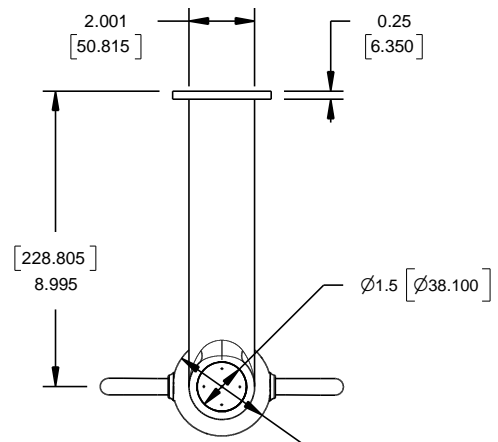
TOP VIEW



SIDE VIEW

NOTE: SEE SHEET 3 FOR MOUNTING DETAILS

MATERIAL: ALUMINUM 6061-T6
FINISH: CLEAR GOLD ANODIZED



FRONT VIEW

A

A

B


B

C

C

D

D

TITLE AIMMS-20 ADP - UNDERWING MOUNT- TECHNICAL SPECIFICATIONS DRAWING				
DRAWN BY V. MANIVASAKAN	APPROVED BY B. WOODCOCK	DATE ISSUED 11 - 07 - 2013	MATERIAL SEE NOTES	FINISH SEE NOTES
UNLESS OTHERWISE SPECIFIED DIMENSIONS ARE IN INCHES AND METRIC DIMENSIONS IN BRACKETS [] TOLERANCES: TWO PLACE DECIMAL +/- 0.004 THREE PLACE DECIMAL +/- 0.001		THE INFORMATION CONTAINED IN THIS DRAWING IS THE SOLE PROPERTY OF AVENTECH RESEARCH INC. ANY REPRODUCTION IN PART OR AS A WHOLE WITHOUT THE WRITTEN PERMISSION OF AVENTECH RESEARCH INC. IS PROHIBITED.		
		DWG NO. AIMMS20_ADP_UW-TSD	EDITION A	SHEET 2 OF 3

1 2 3 4 5 6